

## INSTRUCTIONS FOR FASTENING THE PANEL AND FOLLOW-UP OF THE DIMENSIONS

### FASTENING OF THE PANEL

The panel is supported on joint pieces CA1SSJ5 attached to support studs CA1SS3. Panel is fastened to the support studs by fastening holes in the middle of the upper flange. Every fastening hole requires a separating piece CA3SP814. The same goes for fastening the CA1SSJ5 to the CA1SS3. On every joint piece CA1SSJ5 is another separating piece CA3SP800.

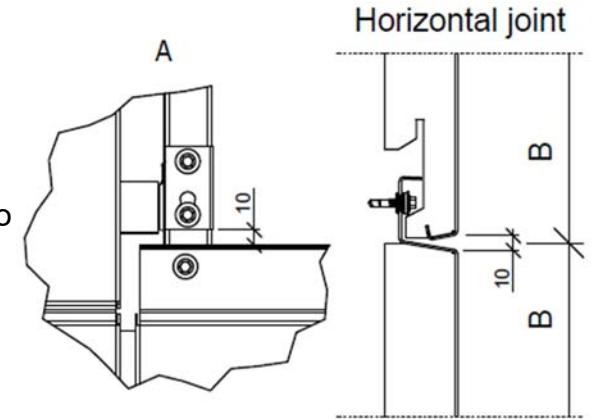
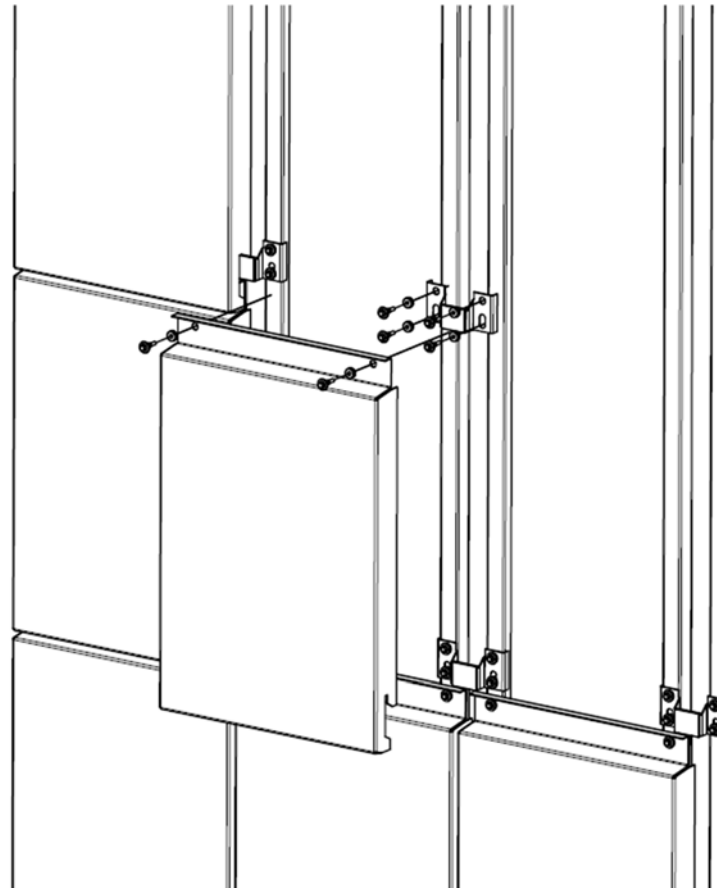
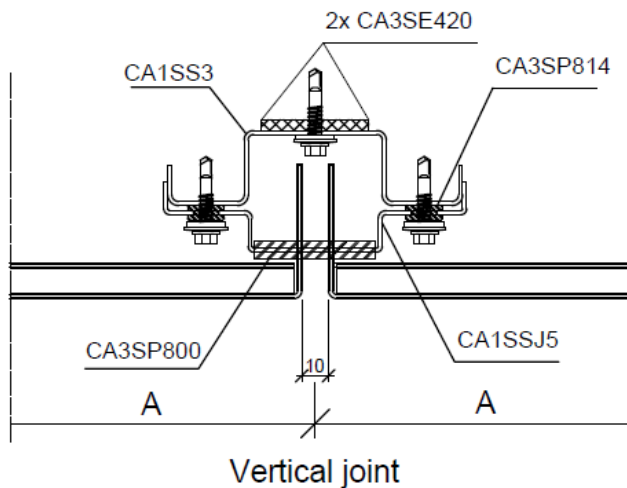
### FOLLOW-UP OF THE DIMENSIONS

Follow the A-, B-, and groove dimensions. Check dimensions from the plans!

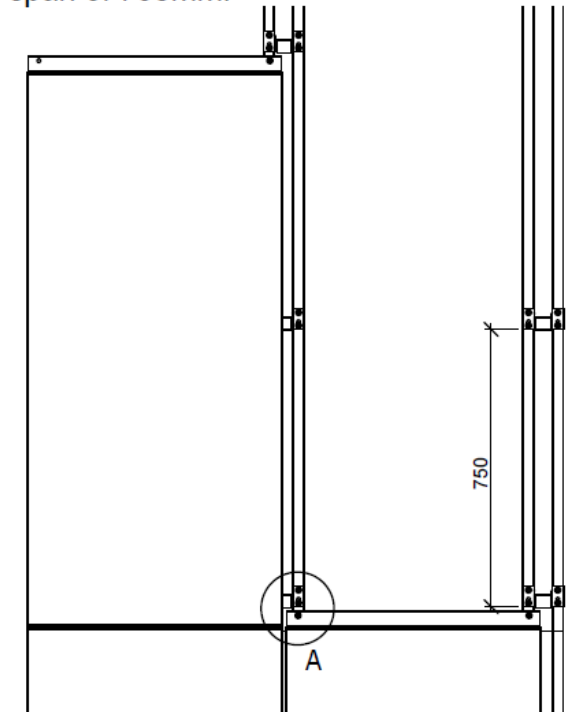
Panel tolerances:  $\pm 1$ mm (A-, B-, and groove)

Sub frame tolerances horizontal direction:

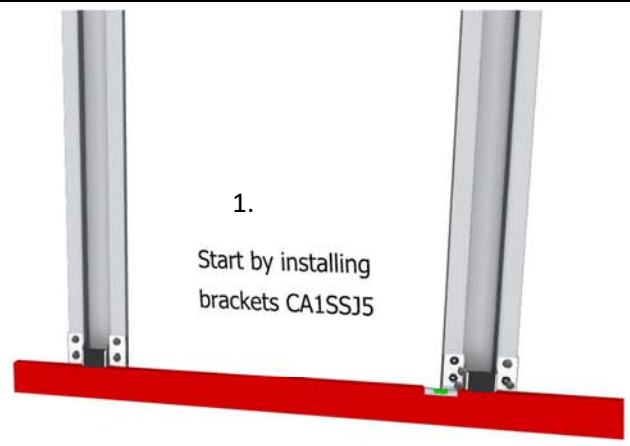
- For one panel:  $\pm 1$  mm
- Between each support stud:  $\pm 1$  mm



First bracket is 10mm off of the top of the lower panel. Following brackets are with a span of 750mm.

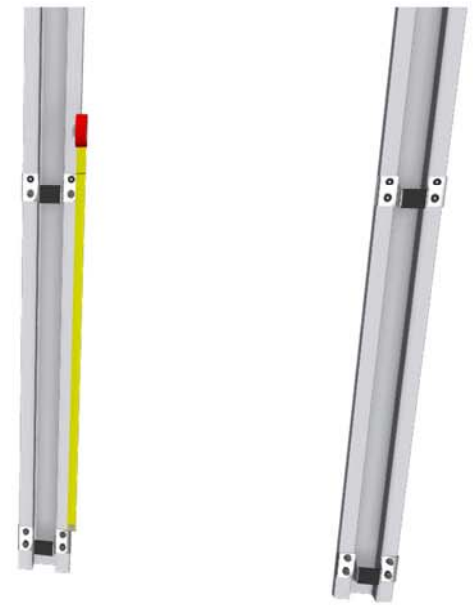




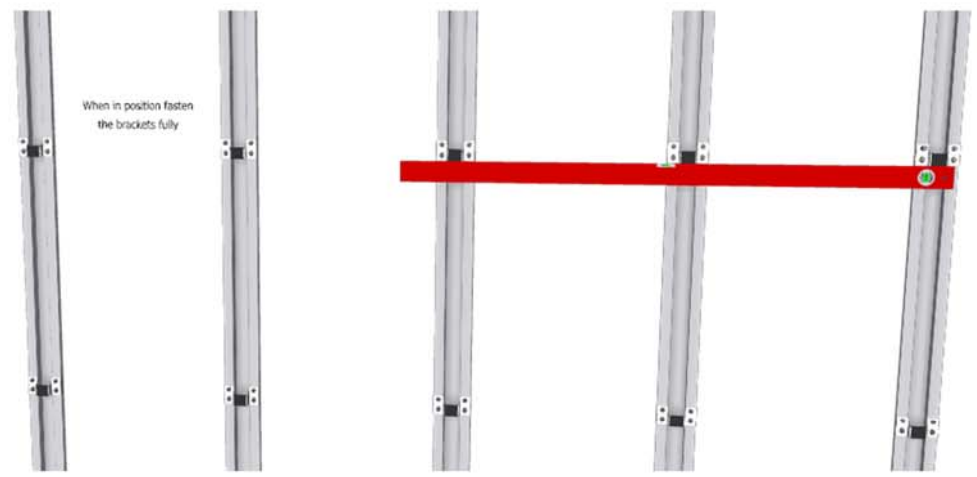


1.  
Start by installing  
brackets CA1SSJ5

2. Use a tape measure to install the next  
row of brackets through oval holes  
with a span of 750 mm  
Use a level to double check and align  
the brackets



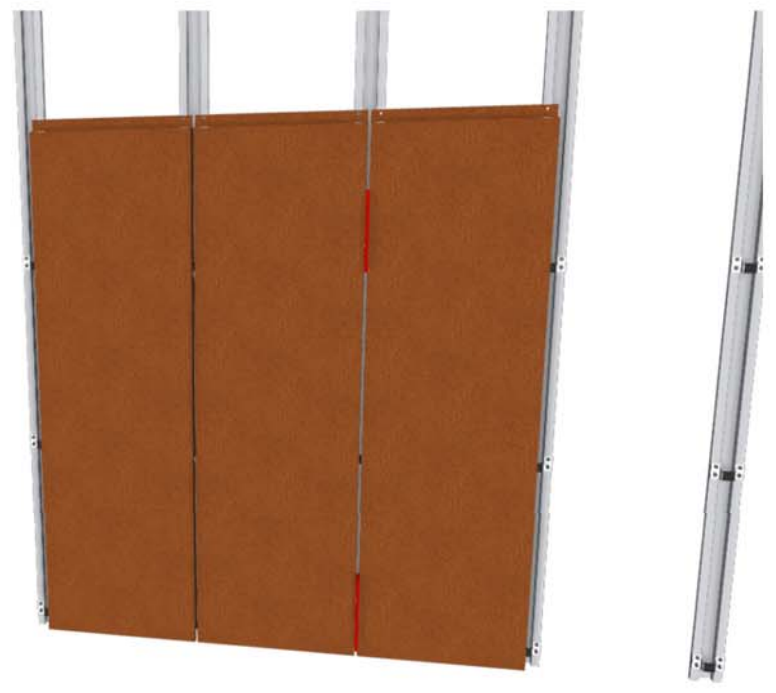
3. When in position fully fasten the brackets to the studs



When in position fasten  
the brackets fully

5. Start installing the cassettes by hanging them onto the brackets  
Continue by fastening the top flange to the studs  
Make sure to use EPDM separating pieces  
CA3SP814 Use gap templates for that 10 mm vertical gap

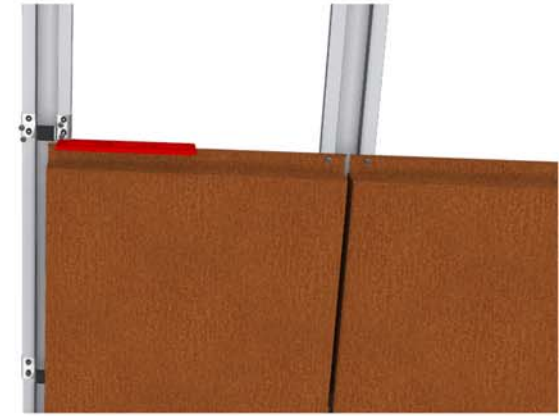
4.  
Insert EPDM separating pieces  
CA3SP814 into 10 mm fastening  
holes in the top flange





6. Use a tape measure to check the overall width of multiple panels  
Make adjustments if necessary

7. Use a gap template to position the  
first brackets of the next row  
10 mm from the top of the cassette



9. Continue installing the cassettes using gap templates in  
vertical joints and fastening the panels through the top flange

8.

Use a tape measure to install the next  
row of brackets through oval holes  
with a span of 750 mm  
Use a level to double check and align  
the brackets

